

Chandelle™

# Montir

A refined expression  
of architectural precision.



**Bold. Precise.  
Architectural.**

Designed for spaces that demand clarity, control, and visual discipline, Montir is a surface mounted downlight system defined by clean geometry and high performance optics.

[www.lunebrillante.sg](http://www.lunebrillante.sg)

+

Chandelle™

# MONTIR

## Surface Mounted Downlight

Shapes light through precise optics while maintaining a clear architectural presence on the ceiling plane. Designed for spaces where form and function must remain in balance. Ideal for focused illumination, ceiling rhythm, architectural accents, and spatial clarity.

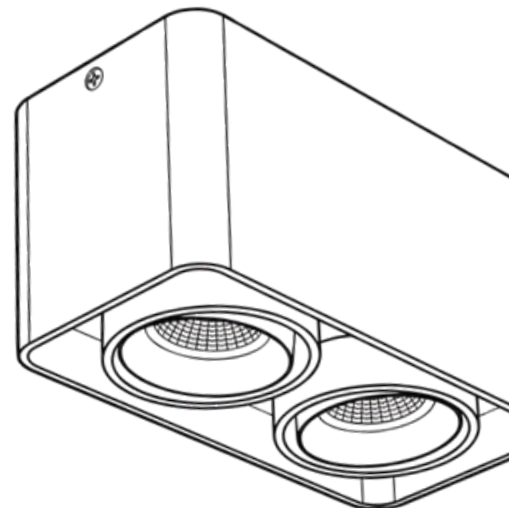
- Controlled beam distribution
- Excellent visual comfort
- Consistent output across configurations



## Accomplished Architecture, Sleek in Style

A precise rectilinear volume.  
Assertive, Intentional, Uncompromising.

Montir integrates effortlessly into contemporary spaces, while its recessed optics create depth and superior glare control, ensuring the focus remains on the light.



# Architectural Precision Lighting

A bold surface-mounted downlight defined by clean lines and confident curves. Its sculpted form adds a strong architectural presence while delivering focused, controlled illumination.



*Tunable & Dimmable*

Adaptable to different moods, functions, and times of day.



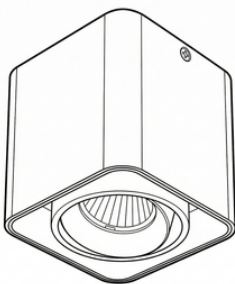
*AVAILABLE IN SINGLE OR MULTI-HEAD OPTIONS*

Chandelle™



## Designed for Demanding Spaces

Whether specified as a singular accent or composed in rhythmic sequences, Montir delivers lighting that is confident, refined, and inherently luxurious in form.



### Chandelle™ MONTIR SURFACE MOUNTED DOWNLIGHT

**Power** : 5W / 10W / 15W  
**Voltage** : 200–240V AC  
**Lumen** : 450 lm  
**Beam Angle** : 30°, Adjustable  
**IP Rating** : IP20  
**CCT** : Tunable, 2700K–6500K  
**Driver** : Smart 0–10V Dimmable

#### Product Dimensions (mm):

**Single Head** : 10 \* 10 \* 10  
**Double Head** : 10 \* 10 \* 20  
**Triple Head** : 10 \* 10 \* 30

**Material** : Aluminium  
**Available Finishes** : White / Black

✉ sales@lunebrillante.sg

☎ +65 9191 7560

📍 531 Upper Cross Street #03-02, Hong Lim Complex, Singapore 050531

[www.lunebrillante.sg](http://www.lunebrillante.sg)

